

# UV and Solar Radiation Sensor Installation Addendum

---

When installing and leveling the sensors, it is important to make sure that their diffusers are not shaded by the rim of the rain cone.

For the UV sensor, make sure the entire comb structure is above the rim of the rain cone.

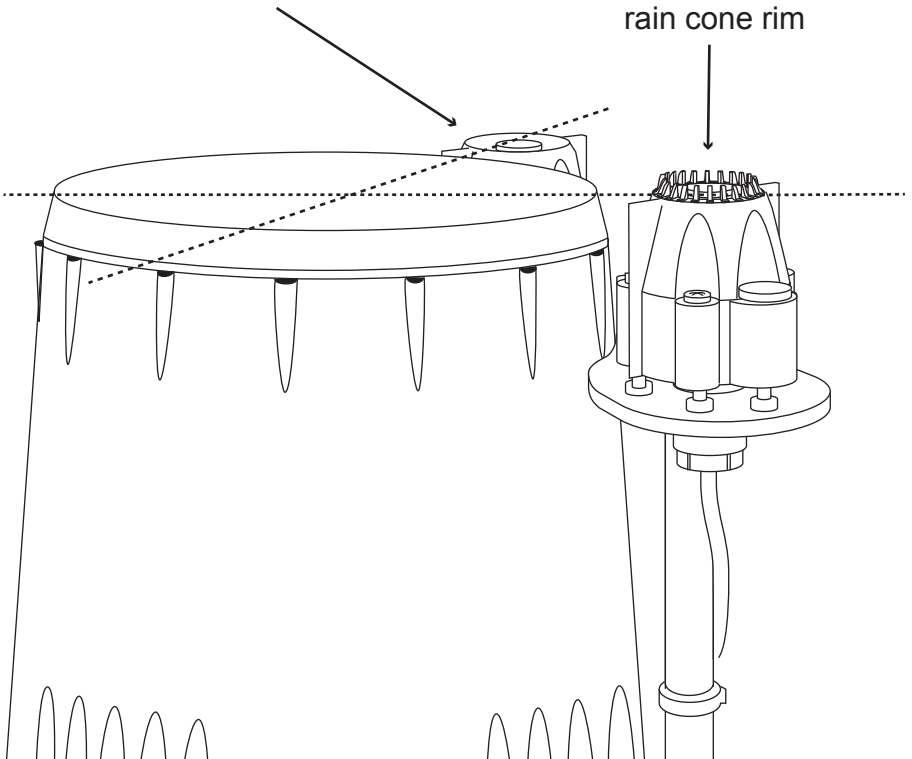
For the Solar Radiation sensor, make sure the top of the sensor body is even with or above the rim of the rain cone.

## Solar Radiation Sensor

Top should be even with or  
above rain cone rim

## UV Sensor

Entire comb structure  
should be above  
rain cone rim



## **Davis Instruments**

3465 Diablo Avenue, Hayward, CA 94545 USA

Copyright ©2014 Davis Instruments Corp. All rights reserved.

Document Part Number: 07395.337 Rev. A 8/11/14

---