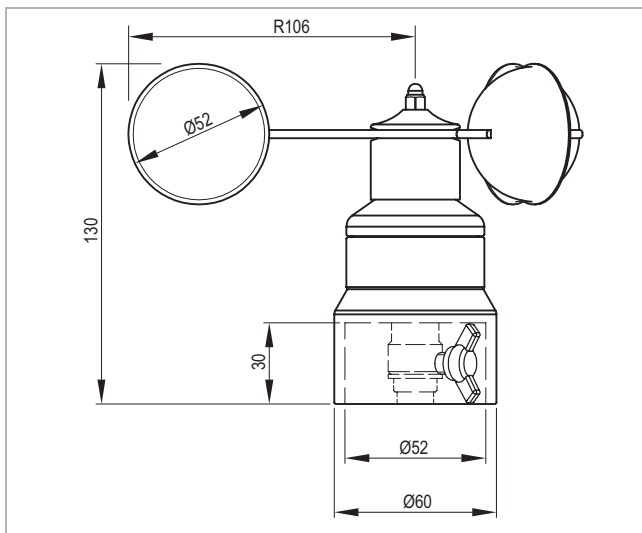


INT10 C[®] Anemometer

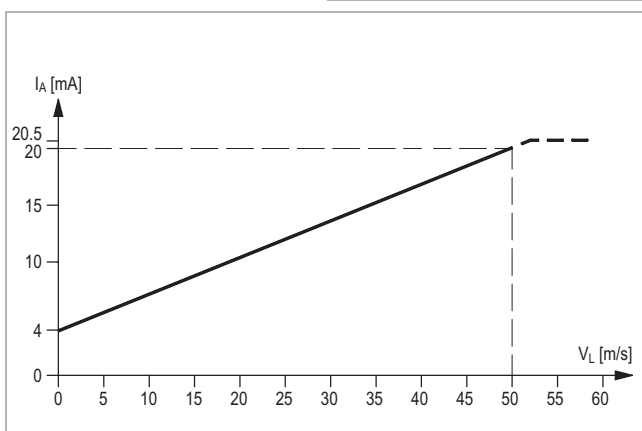
INT10 C[®]



INT10 C



Dimensions in mm



Characteristics curve

Application

It is not permitted to operate building cranes when the wind speed exceeds the specified limit. Crane manufacturers therefore have to specify the critical wind speed limits, and to install a wind measurement unit on cranes that are higher than 30m, measured at the horizontal boom. KRIWAN C-series anemometers are specially designed for the requirements of tower cranes, but can also be used on other types of crane. The proven features of KRIWAN wind sensors are retained exactly where the application requires them.

Functional description

The KRIWAN INT10 C Anemometer registers the current wind speed and converts it into a linear output signal without contact. The sensor is storm-proof and weather-proof. The autonomously controlled bearing heating enables application at temperatures as low as -20°C. Evaluation is then carried out separately with a measuring device, a display instrument, or in the connected monitoring system.

This KRIWAN anemometer excel on account of the following features:

- Robust and reliable design
- Low starting torque, high strength
- Outstanding precision
- Wear-free recording of measurement data
- Optimised power requirement through electronically regulated bearing heating
- Simple installation
- Wide temperature range
- Integrated overvoltage protection
- Maintenance free

⚠ The unit must be connected by trained electrical personnel. The valid European and national standards for connecting electrical equipment must be observed. We recommend that separate on-site lightning protection be installed to prevent consequential damage or operational failures caused by direct or indirect exposure to lightning strikes.

Order data

INT10 C Anemometer 0-50m/s; 4-20mA mast mounting; plug, heating **13 N 600**

Spare parts

Spare parts package cup anemometer (cup anemometer, cap nut, serrated washer)	02 Z 161
Hexagon nut M27x1.5	HM27002400
Serrated washer J28	HX28014600
Clamp connector female (M16) 7-pin	FA04106

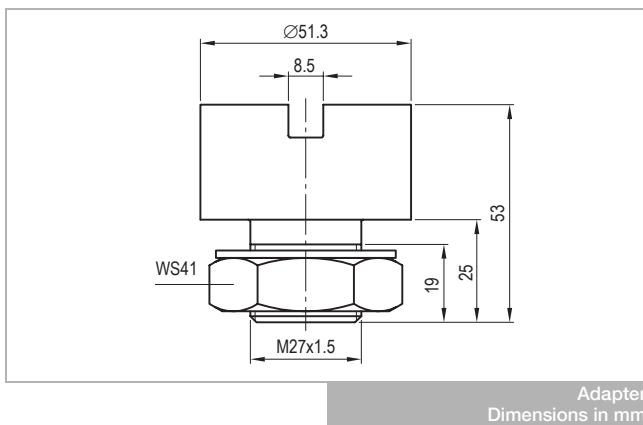
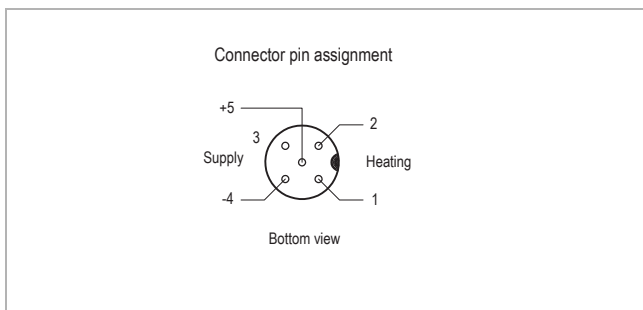
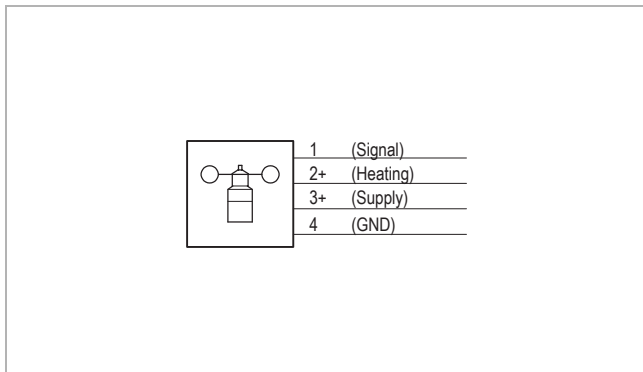
Accessories

Adapter for central mounting (adapter, serrated washer, lock-nut M27)	02 Z 165 S21
---	---------------------

Technical changes reserved

INT10 C[®] Anemometer

INT10 C[®]



Technical specifications

Measuring principle	Noncontact, magnetic scanner
Measuring range	0-50m/s
Accuracy	±0.5m/s
Resolution	<0.1m/s
Start-up speed	<0.5m/s ($\theta_U = 20^\circ\text{C}$)
Supply	DC 24V -25...+50% max. 21mA
Signal output	DC 4-20mA limited to 20.5mA
Signal availability	Max. 2.5s (from voltage-free state)
Load resistor = cable + load resistor	$R_{\text{Load}} \leq (U_{\text{min.}} - 9)/0.02 [\Omega]$ $U_{\text{min.}} = \text{min. supply voltage}$
Connection type	5-pin plug (M12)
Permissible ambient temperature T_A	-20...+70°C Heating not connected: snow and ice free sensor required.
Permitted rel. humidity	0-100% r.h.
Strength	For wind speed of 60m/s (max. 30min)
Heating	Automatic heating controller AC/DC 24V ±20%, max. 11VA SELV
Protection class based on EN 60529	IP54 for intended use sensor mounting
Mounting	Steel tube mast max. $\varnothing_{\text{exterior}}$ 50mm min. $\varnothing_{\text{interior}}$ 37mm
Dimensions	Refer to dimensions in mm
Housing or adapter material	POM-C
Cup anemometer	PC-ABS glass-fibre-reinforced
Bearing	Standard-bearing
Weight	Approx. 650g
Check base	EN 61000-6-2 EN 61000-6-3 EN 61010-1